



PLUG-IN → PROMOTION

Fiji LDFI-07 0700

CSS | BCA



Fiji LDFI-07 0700 BCA



Module:

0700



Refrigerant:

R290

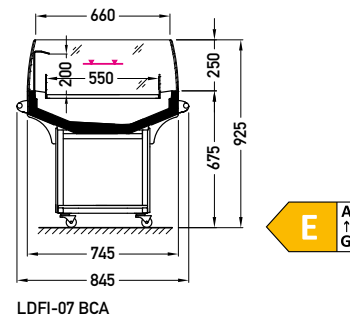
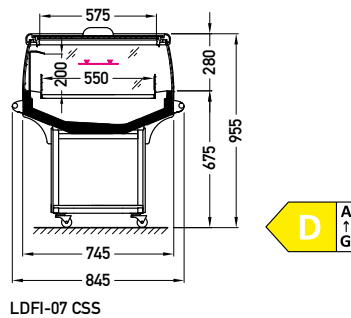


Available options:

- working temperature: BCA from 2°C to 4°C; CSS from 0°C to 2°C;
- natural defrosting
- automatic evaporation of condensate
- electronic controller with temperature indicator
- **energy saving fans**
- exposition: zinc-plated steel, powder coated in white (RAL 9003)
- inox bumper $\varnothing 25$ mm
- colour of the base black (RAL 9005)
- sidewalls glass with black/grey screen printing
- on wheels



Cross sections:



CSS – cover | single, straight | sliding (sideways)
BCA – low glass or front glass riser | single, bent | fixed

Available modules: 0700 0900